

# MANUAL OR POWER REWIND REELS

## Series 4000

- Fuel Dispensing (Consult Factory) • Water Supply
- Fire Protection • Chemical Transfer

### To handle single 3/4" or 1" I.D. hose.

- Lightweight, compact reels designed for long lengths of hose in manual and power rewind.
- Direct crank rewind is removable.
- Chain and sprocket drive powered by electric, hydraulic or compressed air motor.
- Manual reels include cam-lock drag brake, spring actuated pin lock.
- Strap brake is standard on power rewind reels.
- Standard inlet: 90° ball bearing swivel joint, 1" female NPT threads.
- Standard outlet: 1" female NPT threads.
- Standard pressures to 2000 psi (138 bar), available up to 4000 psi (276 bar) – must specify.
- Temperatures from -60°F to +250°F (-51°C to +121°C).
- Rollers and roller mounting brackets are accessory items. Specify roller position.



Electric rewind  
Standard  
configuration  
shown



### Optional External Mounting Brackets

Part No. 9906.0027.  
Add 2-1/2" to the X dimensions shown in the chart.

### PARTS DRAWING – ISO 68

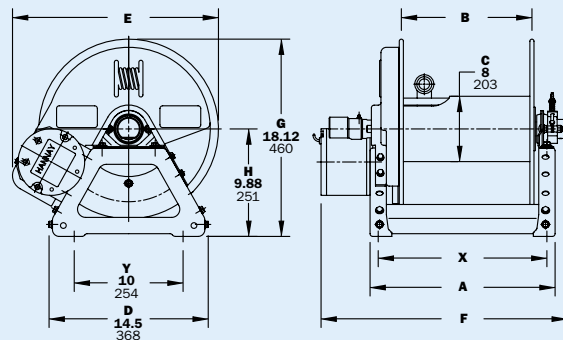
Model Number For power rewind see Note 5	Hose Capacity of Reel feet m			Approx. Weight Crank Rewind lb. kg see Note 3			Reel Dimensions*** in. mm						
	I.D. in. mm	3/4 19	1 25	NET	UPS/ FedEx SHIP Wt.	Freight SHIP Wt.	A	B	E CRANK	E POWER	F CRANK	F POWER	X
	O.D. in. mm	1-9/32 33	1-9/16 40										
<b>4018-17-18</b>	<b>50</b>	<b>35</b>	<b>36</b>	<b>80*</b>	<b>71</b>	<b>15</b>	<b>10</b>	<b>16.5</b>	<b>19</b>	<b>27</b>	<b>20.5</b>	<b>13.5</b>	
	15	11	16	36	32	381	254	419	483	686	521	343	
<b>4024-17-18</b>	<b>100</b>	<b>50</b>	<b>46</b>	<b>98*</b>	<b>81</b>	<b>21</b>	<b>16</b>	<b>16.5</b>	<b>19</b>	<b>33</b>	<b>26.5</b>	<b>19.5</b>	
	30	15	21	45	37	533	406	419	483	838	673	495	
<b>4030-17-18</b>	<b>150</b>	<b>75</b>	<b>57</b>	<b>110*</b>	<b>92</b>	<b>27</b>	<b>22</b>	<b>16.5</b>	<b>19</b>	<b>39</b>	<b>32.5</b>	<b>25.5</b>	
	46	23	26	50	42	686	559	419	483	991	826	648	
<b>4038-17-18</b>	<b>200</b>	<b>100</b>	<b>70</b>	-	<b>124</b>	<b>35</b>	<b>30</b>	<b>16.5</b>	<b>19</b>	<b>47</b>	<b>40.5</b>	<b>33.5</b>	
	61	30	32	-	56	889	762	419	483	1194	1029	851	

#### Notes:

- Specifications subject to change.
- Upon request, reels can be supplied with drum lengths other than shown.
- Weights shown in chart are for crank rewind models. ADD these amounts for power rewind models (does not apply to FedEx or UPS):
 

	Net lbs/kg	Ship lbs/kg
<b>Electric</b>	<b>18/8.2</b>	<b>18/8.2</b>
<b>Hydraulic</b>	<b>15/6.8</b>	<b>15/6.8</b>
<b>Air</b>	<b>15/6.8</b>	<b>15/6.8</b>
- Dimension "F" is the overall length of standard model reels. Crank rewind reels require 3-1/2" clearance to remove or install crank handle.
- When ordering power rewind models, prefix model number with:
  - A** = Air Rewind – Supplied with control valve and 18" air hose.

- E** = Electric Rewind – 12v and 24v DC rewind reels are supplied with switch and solenoid; 115v AC rewind reels are not supplied with switch but can be ordered separately.
  - HD** = Hydraulic Rewind – Not supplied with control valve.
  - 6. Finish:** Refer to page 3.
  - 7. Be sure to check dimensions and weights prior to ordering.**
  - 8. Some roller options may prohibit the use of our molded chain guard.
- NOTICE:** A flexible connector must be used between the inlet pipe and the inlet swivel joint.
- \* Dimensional weight applies when shipped as a parcel package (via FedEx or UPS Ground).
- \*\*\* X, Y indicate mounting holes. See page 5. (Also applies for external mounting brackets.)



Power rewind shown